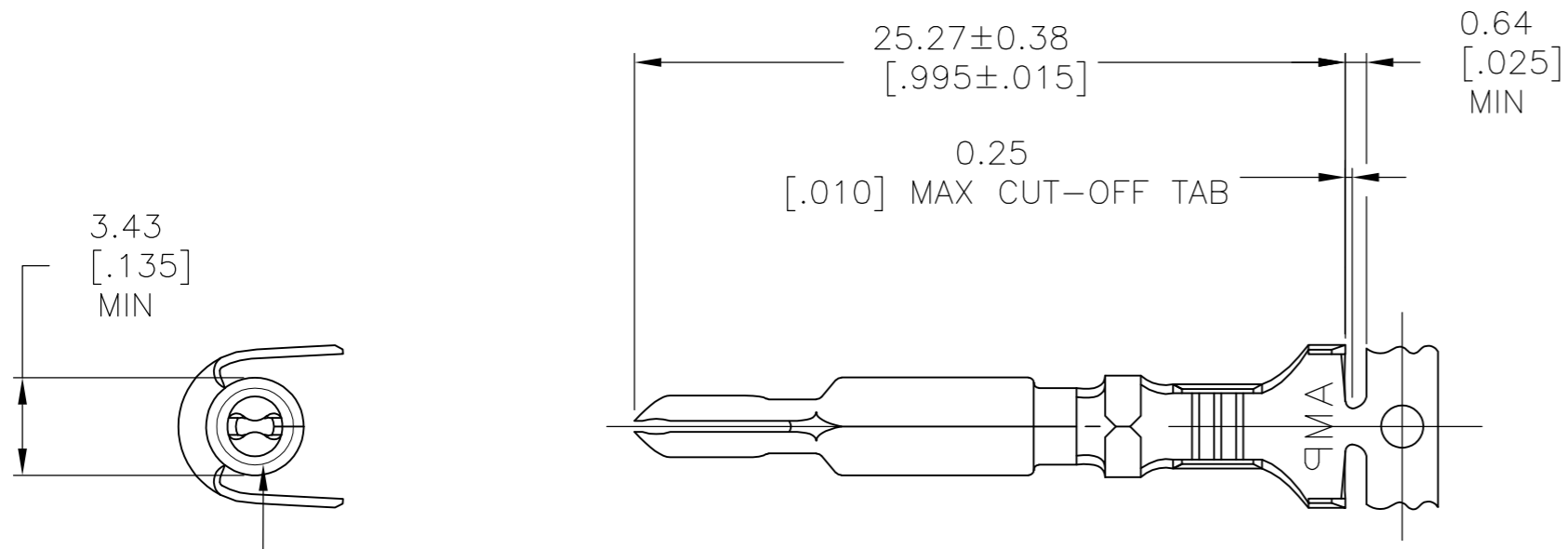


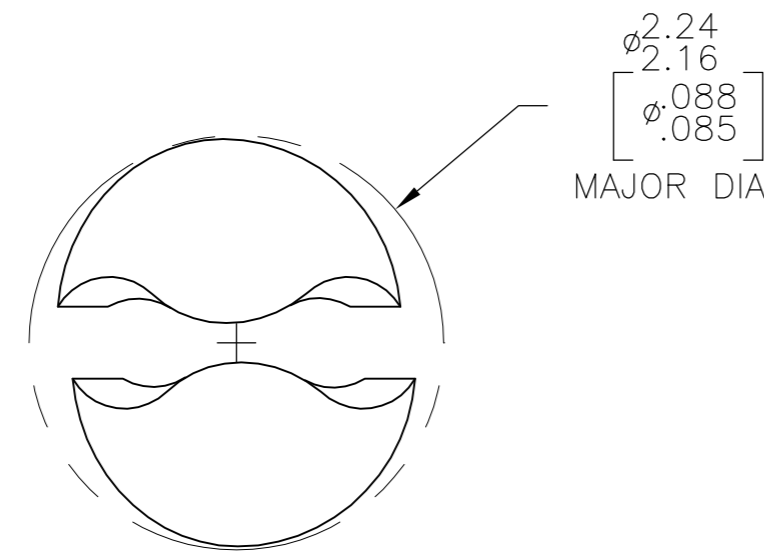
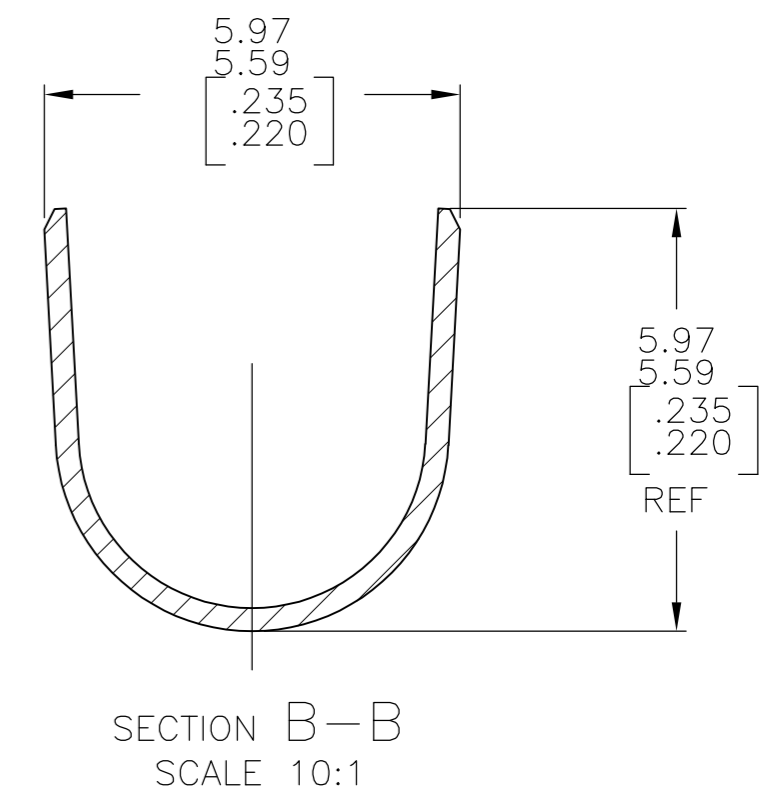
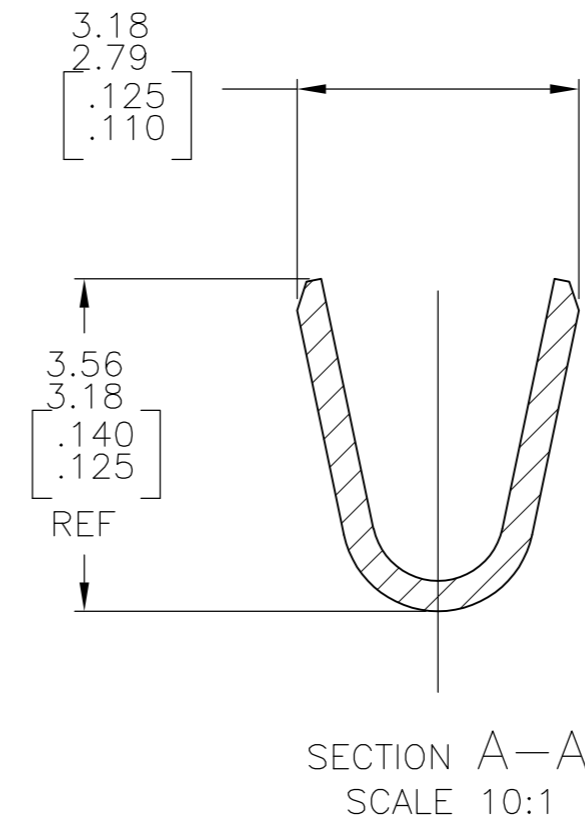
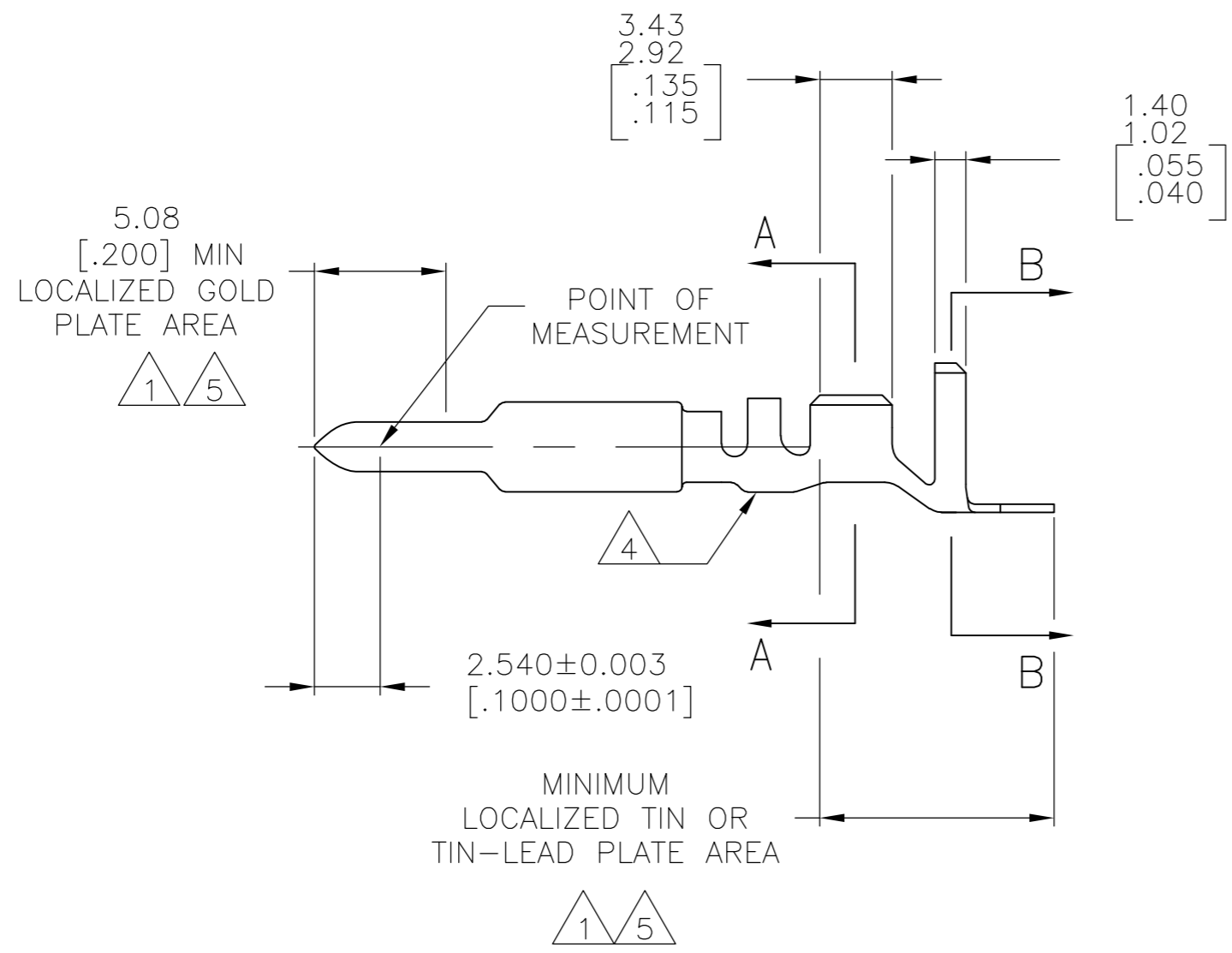
THIS DRAWING IS UNPUBLISHED. RELEASED FOR PUBLICATION
 © COPYRIGHT BY TYCO ELECTRONICS CORPORATION. ALL RIGHTS RESERVED.

LOC	DIST	REVISIONS			
P	LTR	DESCRIPTION	DATE	DWN	APVD
CM	00	K1	ECO-07-025464	31OCT07	KW CJ



SEE DETAIL A

- 1 0.00076[.000030] MIN GOLD AT POINT OF MEASUREMENT IN THE LOCALIZED GOLD PLATE AREA, 0.00127[.000050] MIN TIN-LEAD IN TIN-LEAD PLATE AREA, 0.00127[.000050] MIN NICKEL UNDERPLATE ON ENTIRE CONTACT.
- 2. WIRE RANGE: 0.5-2mm² [20-14 AWG] INSULATION RANGE: 3.30-5.08 [.130-.200] DIA.
- 3. DIMENSIONS IN BRACKETS ARE IN INCHES.
- 4 LETTER "P" STAMPED IN THIS LOCATION.
- 5 0.00076[.000030] MIN GOLD AT POINT OF MEASUREMENT IN THE LOCALIZED GOLD PLATE AREA, 0.00127[.000050] MIN TIN IN TIN PLATE AREA, 0.00127[.000050] MIN NICKEL UNDERPLATE ON ENTIRE CONTACT.



DETAIL A
SCALE 20:1

METRIC

FINISH	MATERIAL	PART NUMBER
4 GOLD 5	0.30 [.012] PH BRZ	1-770005-1
GOLD 5	0.30 [.012] BRASS	1-770005-0
4 GOLD 1	0.30 [.012] PH BRZ	770005-4
4 PRE-TIN	0.30 [.012] PH BRZ	770005-3
GOLD 1	0.30 [.012] BRASS	770005-2
PRE-TIN	0.30 [.012] BRASS	770005-1

THIS DRAWING IS A CONTROLLED DOCUMENT.

DIMENSIONS: mm [INCHES]	TOLERANCES UNLESS OTHERWISE SPECIFIED:	DWN S. CARPENTER 20MAY03	CHK C. JONES 20MAY03	APVD C. JONES 20MAY03	NAME
0 PLC ± -	1 PLC ± -	2 PLC ± -	3 PLC ± -	4 PLC ± -	ANGLES ± -
MATERIAL SEE TABLE	FINISH SEE TABLE	PRODUCT SPEC	APPLICATION SPEC	WEIGHT	SCALE
		Tyco Electronics Corporation Harrisburg, PA 17105-3608		PIN, UNIVERSAL MATE-N-LOK(TM) II	
		SIZE A2	CAGE CODE 00779	DRAWING NO C=770005	RESTRICTED TO
		CUSTOMER DRAWING		SCALE 4:1	SHEET 1 OF 1